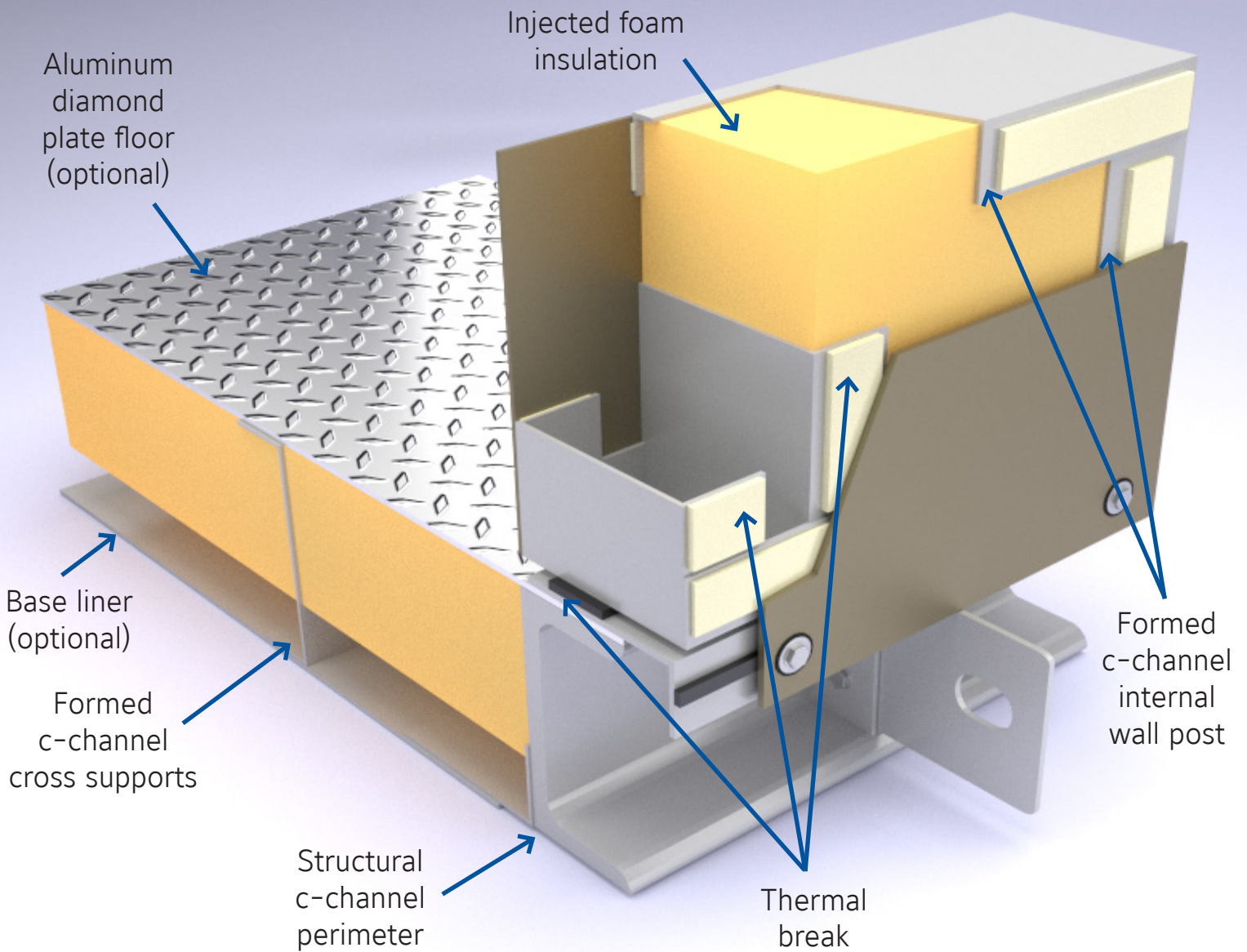
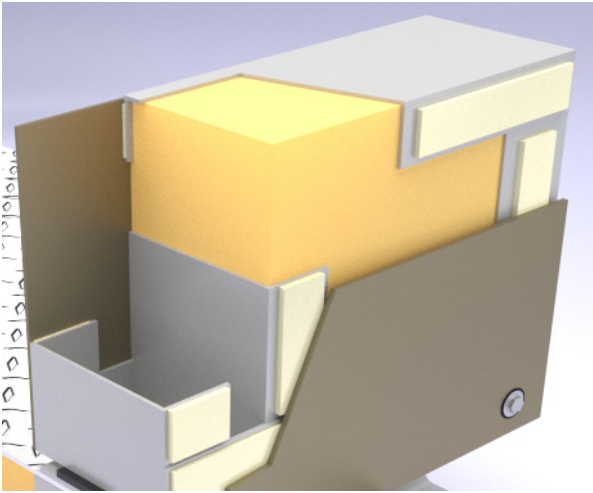


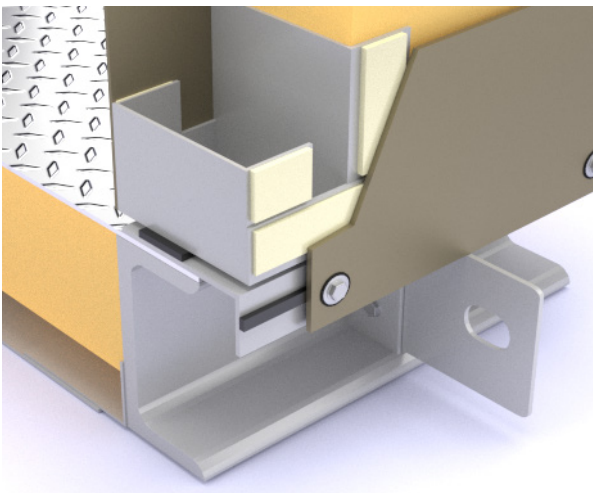
Casing





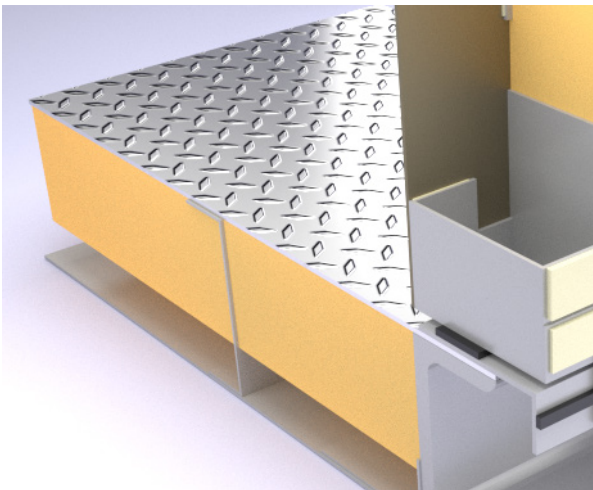
Wall Panel

Foam injected wall panels are available in 2", 3" and 4" with thermal break. Internal structural frame consists of 16ga c-channel steel. External and Internal skin material may be steel, aluminum, or stainless steel in varying gauges, grades, and finishes.



Base

Bases are constructed of welded structural steel, aluminum or stainless steel. Sprayed Foam insulation is applied to the entire base assembly. Optional base liners are available for an aesthetic cover.

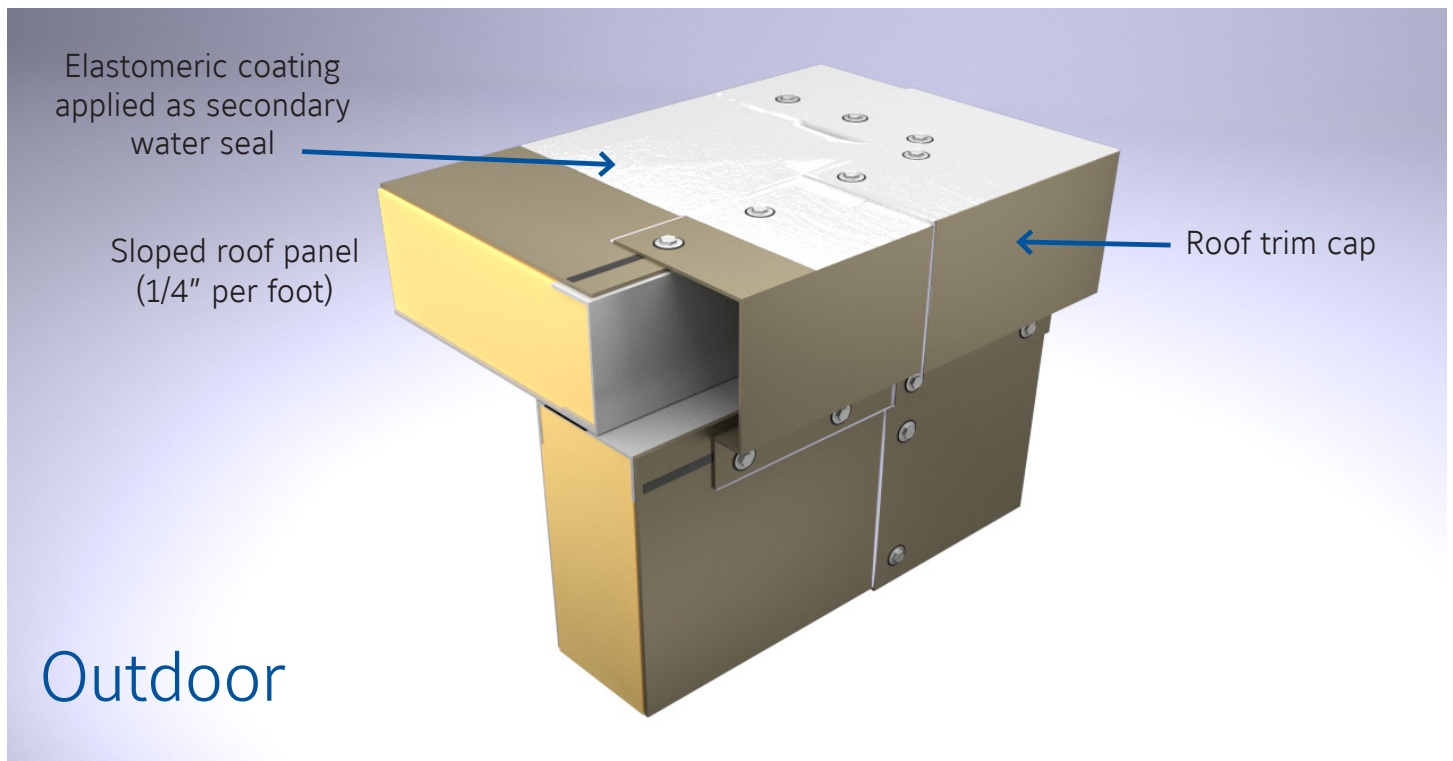
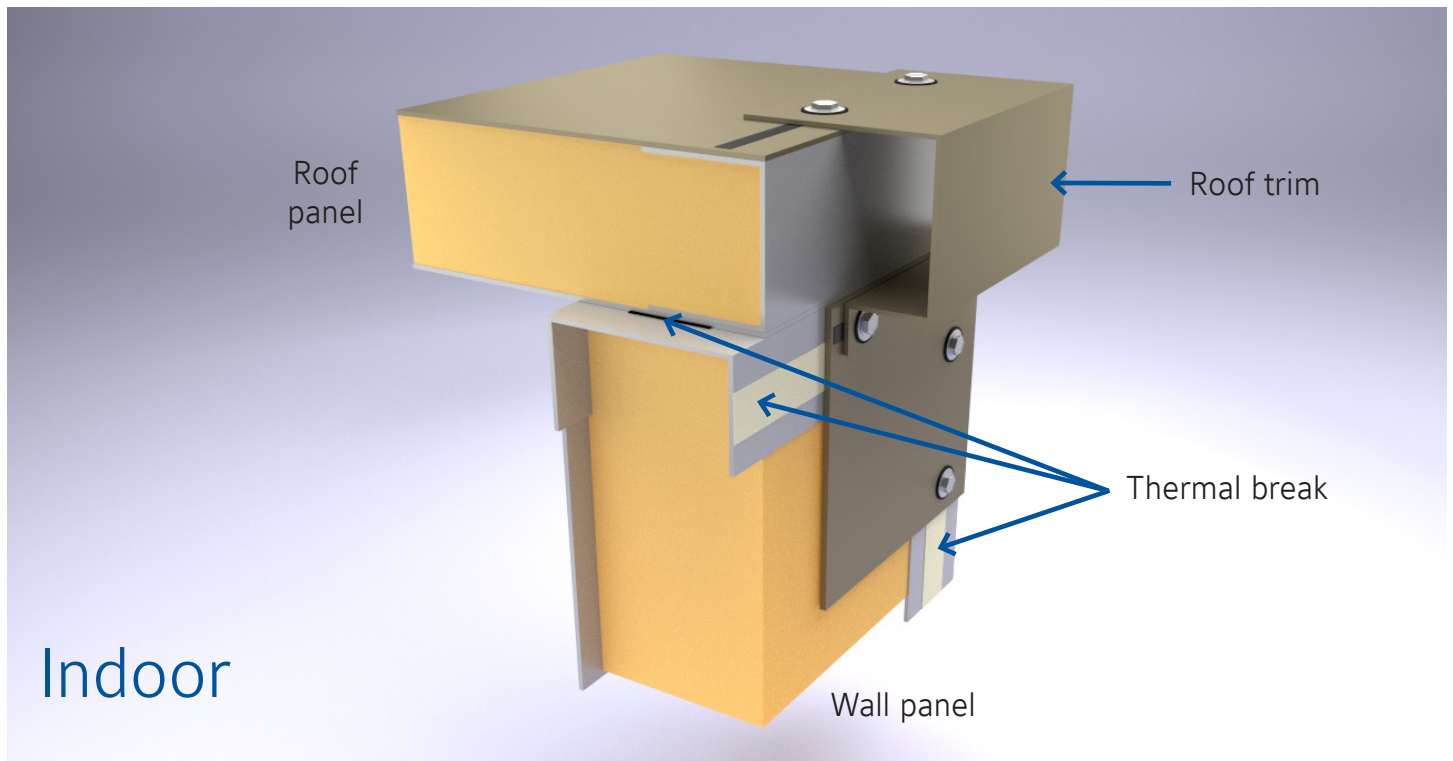


Floor

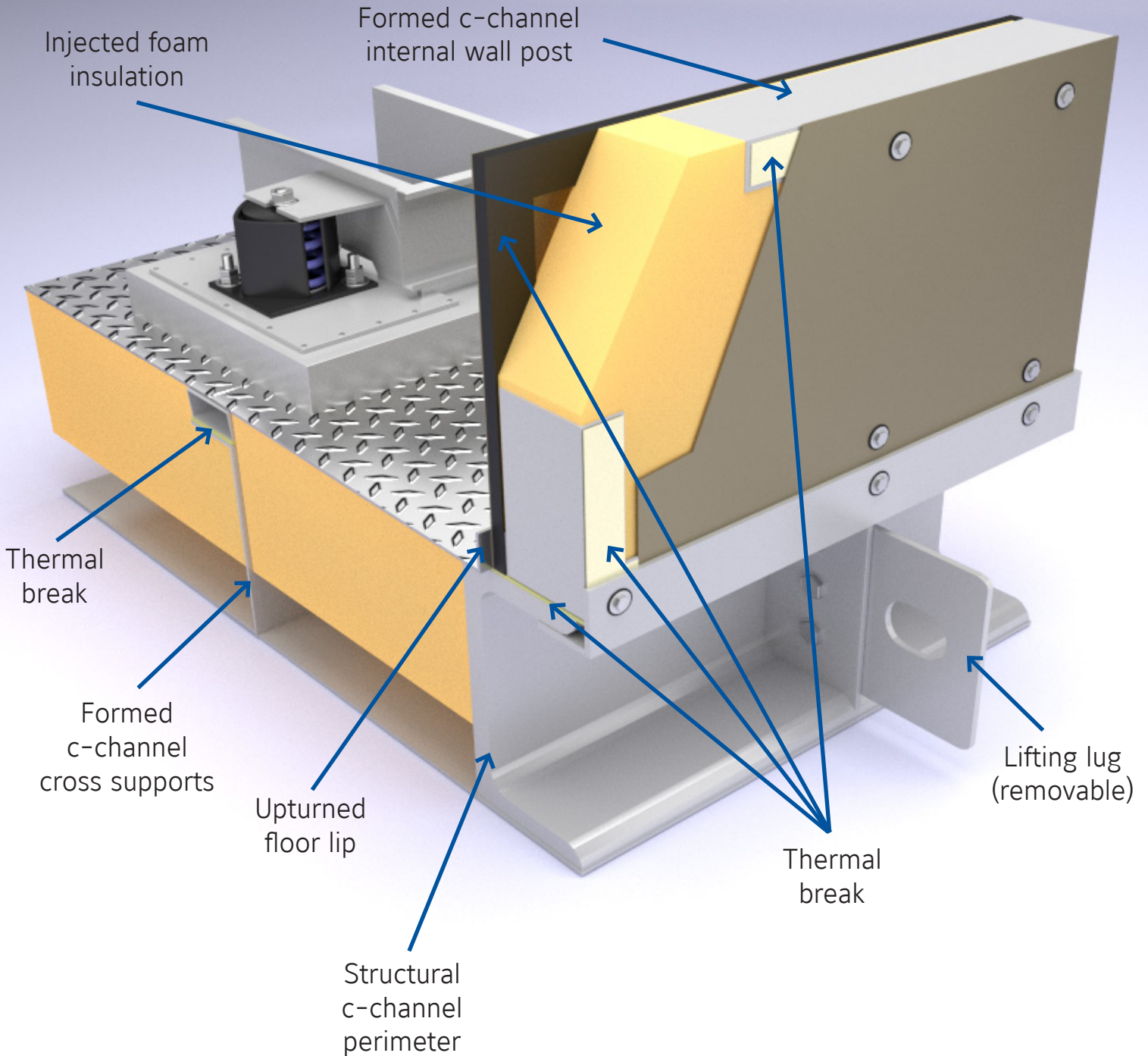
Floors materials are welded to the base assembly. Steel, aluminum and stainless are available in varying gauges, grades and finishes (optional aluminum diamond plate flooring is shown).

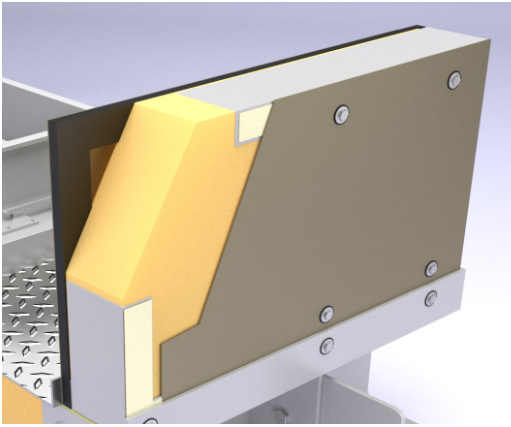
Roof panels are constructed using same materials and insulation as casing panels.

Wall-Roof



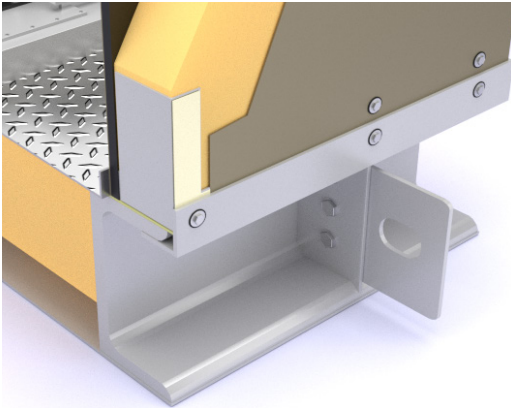
Ultra Thermal Break™ Casing





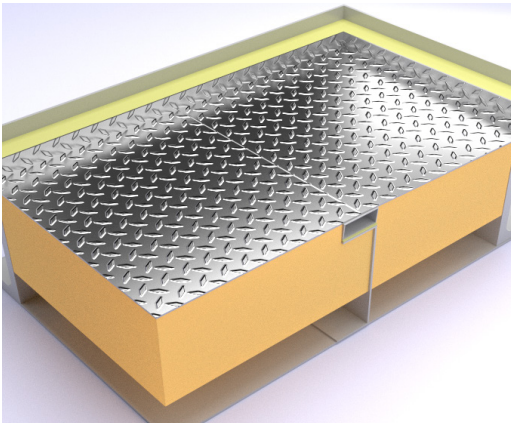
UTB™ Wall Panel

UTB™ wall panels are 3" foam injected and provide a "no thru-metal" thermal performance exceeding "Class A" designs. Internal structural frame consists of 16ga c-channel steel. External and Internal skin material may be steel, aluminum, or stainless steel in varying gauges, grades, and finishes.



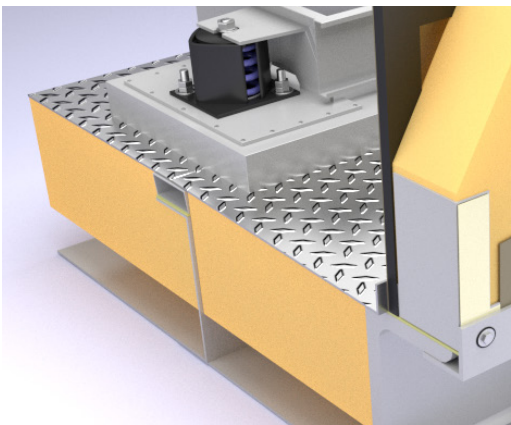
UTB™ Wall to Base Connection

The UTB™ wall to base connection panels are 3" foam injected and provide a "no thru-metal" thermal performance exceeding "Class A" designs. Internal structural frame consists of 16ga c-channel steel. External and Internal skin material may be steel, aluminum, or stainless steel in varying gauges, grades, and finishes.



UTB™ Floor to Base Connection

The UTB™ floor is a patented floating design that thermally outperforms all other floor designs. With a high-density foam thermal break, there is no contact between the floor pan and the structural base.

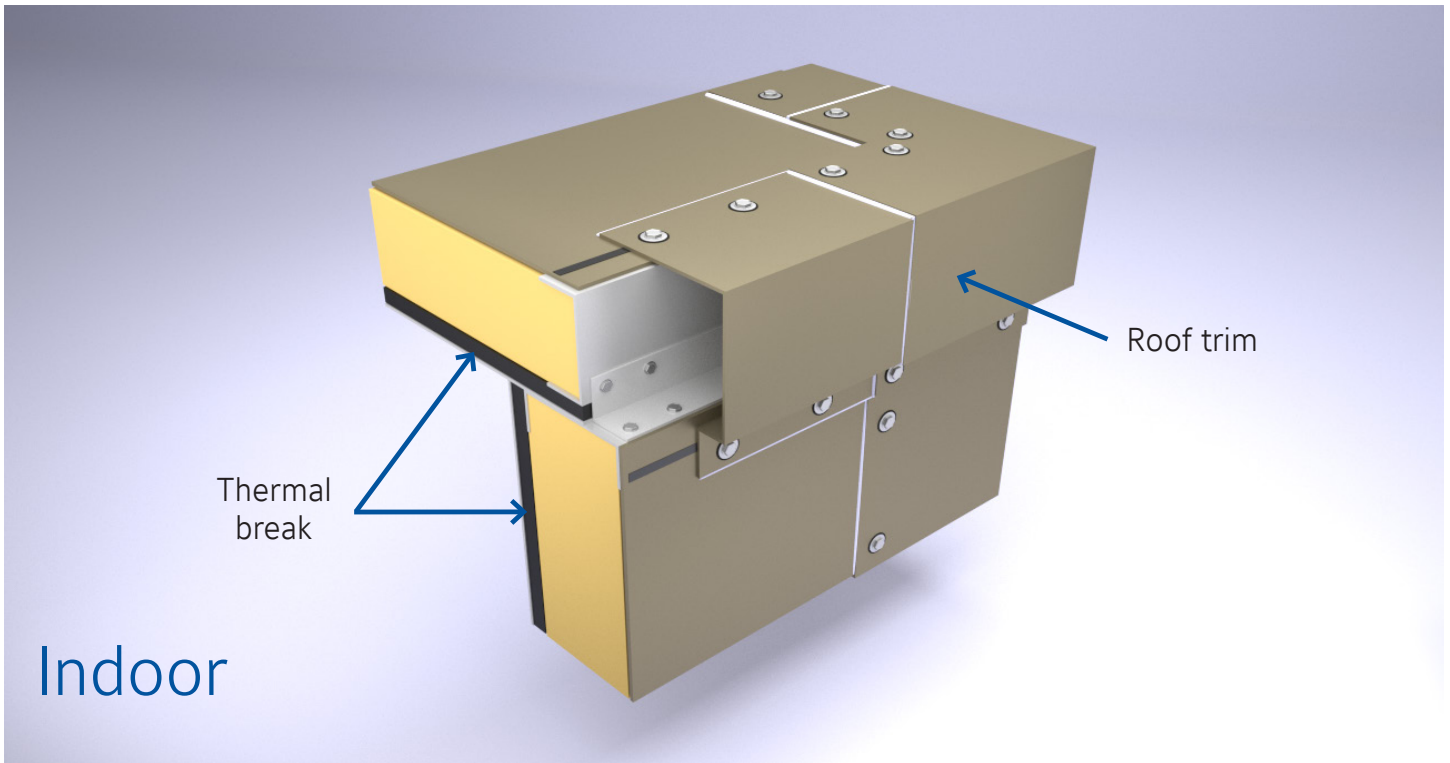


UTB™ Floor

Components are mounted to the UTB floor without penetration to the structural base maintaining the thermal integrity of the floating floor design. The floor includes an upturned lip that can be used to collect and drain water through optional floor drains.

Roof panels are constructed using same materials and insulation as casing panels

UTB™ Wall-Roof



Roof panels are constructed using same materials and insulation as casing panels

UTB™ Split

